

Product: STOOL

Tabouret is a family of stools where the iconic form obtained from the solid wood manufacturing performs the thin line between furnishing and artistic expression.

The multiple repetition of a symmetrical shape is inspired by the floral nature around us, therefore the leg is treated like the petal of a flower.

The stool comfort is guaranteed by the warm and soft shape of the seat so that the form does not prevail on the function.

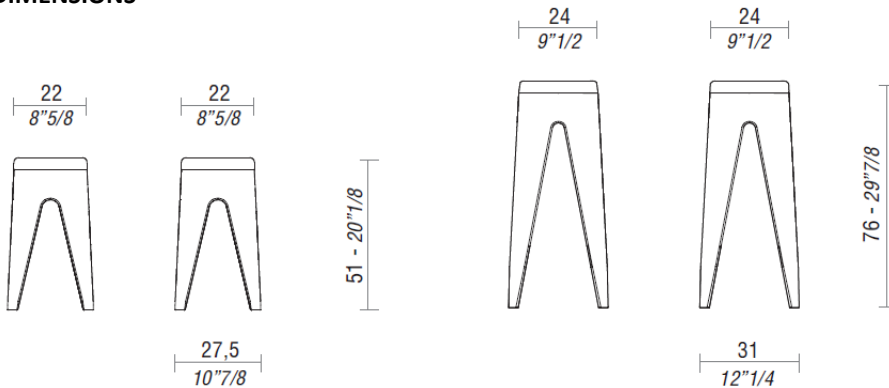


TECHNICAL FEATURES

Structure: structure in Oak solid wood or in Lacquered finish.

Cushion: in Polyurethane foam, upholstered.

DIMENSIONS



TABOURET, H51 stool.

TABOURET, H76 stool.

FINISHES

Structure: structure in Oak solid wood or in Sablè lacquered finish, available in different sample collection colours.

Cushion upholstery: Smart Office - Sprint Fabric, Leather and Extra Leather.